

Valves with O-LOK® Ends for Hydrogen Service

Integral ended ball and needle valves for improved safety and leak-free operation in hydrogen applications



Fast, repeatable, and reliable valve assemblies by torque

Parker's Hi-Pro Series ball valves and HNV Series needle valves feature an integral O-LOK® O-Ring Face Seal (ORFS) fitting connections. These are suitable for high vibration and impulse applications up to 10,000 psi (689 bar). Parker's O-LOK® technology presents an optimal solution for mass production in the automotive industry, among others. Assembly by torque eliminates uncertainty regarding connection tightness. The face seal connections also simplify maintenance in confined spaces. They can be assembled and disassembled multiple times without compromising the connection's integrity, making it easy to replace valves.



Contact Information:

Parker Hannifin Manufacturing Ltd.
Instrumentation Products
Division Europe
 Riverside Road
 Barnstaple EX31 1NP
 United Kingdom

phone +44 (0) 1271 313131
www.parker.com/ipd

Features	Benefits
O-ring face seal connection design with a Captive O-ring Groove (CORG) and an elastomeric seal	Ensures leak-free connection
Flat face for zero clearance	Enables easy and quick drop-in installation, reducing assembly and maintenance costs
Over-torque resistance	Decreases the occurrence of metal distortions and leaks, reducing production assembly and maintenance costs
Retained core valve features - these valves retain the high-quality attributes found in Parker's Hi-Pro ball and HNV needle valve offerings	Uncompromised quality and performance

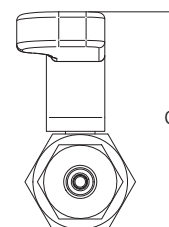
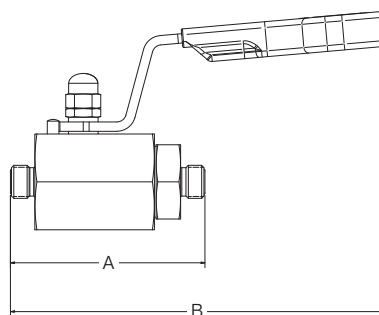


ENGINEERING YOUR SUCCESS.

Technical Information

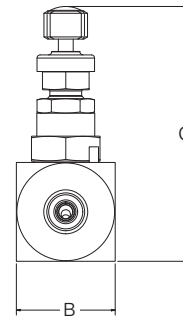
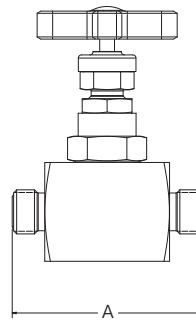
Specifications		
	Ball Valve Hi-Pro Series	Needle Valve HNV Series
Orifice Size	10 mm	4 mm
Valve Body Material	316 Stainless Steel	
Seat Material	PEEK/PTFE	Metal
Packing Material	PTFE	
Fugitive Emission ISO 15848-1 option on request	Class B and C	Class C

Ball Valve Hi-Pro Series



Part Number	Inlet/Outlet		O-Ring Material	Seat Material	Max. Cold Working Pressure	Temperature Range	Dimensions		
	Metric	Imperial					A mm (inch)	B mm (inch)	C mm (inch)
HPBYB4LOHP	6 mm O-LOK®	1/4" O-LOK®	NBR	PEEK	9137 PSI (630 bar)	-15 to +100 °C (5 to +212 °F)	82.4 (3.25)	160.5 (6.32)	93.3 (3.67)
HPBYB4LOVHP	6 mm O-LOK®	1/4" O-LOK®	FKM		9137 PSI (630 bar)	-25 to +200 °C (-13 to +392 °F)	82.4 (3.25)	160.5 (6.32)	93.3 (3.67)
HPBYB4HLOHP	6 mm O-LOK®	1/4" O-LOK®	TPU		10,000 PSI (689 bar)	-54 to +85 °C (-65 to +185 °F)	82.4 (3.25)	160.5 (6.32)	93.3 (3.67)
HPBYB8LOHP	12 mm O-LOK®	1/2" O-LOK®	NBR		9137 PSI (630 bar)	-15 to +100 °C (5 to +212 °F)	87.7 (3.45)	162.7 (6.41)	93.3 (3.67)
HPBYB8LOVHP	12 mm O-LOK®	1/2" O-LOK®	FKM		9137 PSI (630 bar)	-25 to +200 °C (-13 to +392 °F)	87.7 (3.45)	162.7 (6.41)	93.3 (3.67)
HPBYB8HLOHP	12 mm O-LOK®	1/2" O-LOK®	TPU		10,000 PSI (689 bar)	-54 to +85 °C (-65 to +185 °F)	87.7 (3.45)	162.7 (6.41)	93.3 (3.67)
HPBYB4LO	6 mm O-LOK®	1/4" O-LOK®	NBR	PTFE	6,000 PSI (414 bar)	-15 to +100 °C (5 to +212 °F)	82.4 (3.25)	160.5 (6.32)	93.3 (3.67)
HPBYB4LOV	6 mm O-LOK®	1/4" O-LOK®	FKM		6,000 PSI (414 bar)	-25 to +200 °C (-13 to +392 °F)	82.4 (3.25)	160.5 (6.32)	93.3 (3.67)
HPBYB4HLO	6 mm O-LOK®	1/4" O-LOK®	TPU		6,000 PSI (414 bar)	-54 to +85 °C (-65 to +185 °F)	82.4 (3.25)	160.5 (6.32)	93.3 (3.67)
HPBYB8LO	12 mm O-LOK®	1/2" O-LOK®	NBR		6,000 PSI (414 bar)	-15 to +100 °C (5 to +212 °F)	87.7 (3.45)	162.7 (6.41)	93.3 (3.67)
HPBYB8LOV	12 mm O-LOK®	1/2" O-LOK®	FKM		6,000 PSI (414 bar)	-25 to +200 °C (-13 to +392 °F)	87.7 (3.45)	162.7 (6.41)	93.3 (3.67)
HPBYB8HLO	12 mm O-LOK®	1/2" O-LOK®	TPU		6,000 PSI (414 bar)	-54 to +85 °C (-65 to +185 °F)	87.7 (3.45)	162.7 (6.41)	93.3 (3.67)

Needle Valve HNV Series



Part Number	Inlet/Outlet		O-Ring Material	Max. Cold Working Pressure	Temperature Range	Dimensions		
	Metric	Imperial				A mm (inch)	B mm (inch)	C mm (inch)
HNVS4LOHP	6 mm O-LOK®	1/4" O-LOK®	NBR	9137 PSI (630 bar)	-15 to +100 °C (5 to +212 °F)	60.1 (2.37)	31.8 (1.25)	81.9 (3.22)
HNVS4LOVHP	6 mm O-LOK®	1/4" O-LOK®	FKM	9137 PSI (630 bar)	-25 to +200 °C (-13 to +392 °F)	60.1 (2.37)	31.8 (1.25)	81.9 (3.22)
HNVS4HLOHP	6 mm O-LOK®	1/4" O-LOK®	TPU	10,000 PSI (689 bar)	-54 to +85 °C (-65 to +185 °F)	60.1 (2.37)	31.8 (1.25)	81.9 (3.22)
HNVS4LO	6 mm O-LOK®	1/4" O-LOK®	NBR	6,000 PSI (414 bar)	-15 to +100 °C (5 to +212 °F)	60.1 (2.37)	31.8 (1.25)	81.9 (3.22)
HNVS4LOV	6 mm O-LOK®	1/4" O-LOK®	FKM	6,000 PSI (414 bar)	-25 to +200 °C (-13 to +392 °F)	60.1 (2.37)	31.8 (1.25)	81.9 (3.22)
HNVS4HLO	6 mm O-LOK®	1/4" O-LOK®	TPU	6,000 PSI (414 bar)	-54 to +85 °C (-65 to +185 °F)	60.1 (2.37)	31.8 (1.25)	81.9 (3.22)

Installation & Operation



Ball Valve Hi-Pro Series

Scan the QR code to view the Installation and Operation Manual on our mobile device.
Or click here to view the Manual.



Needle Valve HNV Series

Scan the QR code to view the Installation and Operation Manual on your mobile device.
Or click here to view the Manual.



O-LOK® installation and operation

Scan the QR code to view the Tube Assembly Guide (page 55).
Or click here to view the Guide.



Parker Hannifin Manufacturing Ltd.
Instrumentation Products Division
Europe
Riverside Road
Barnstaple EX31 1NP
United Kingdom
phone +44 (0) 1271 313131
www.parker.com/ipd